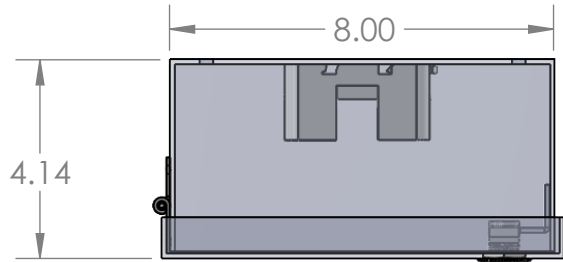


2

1

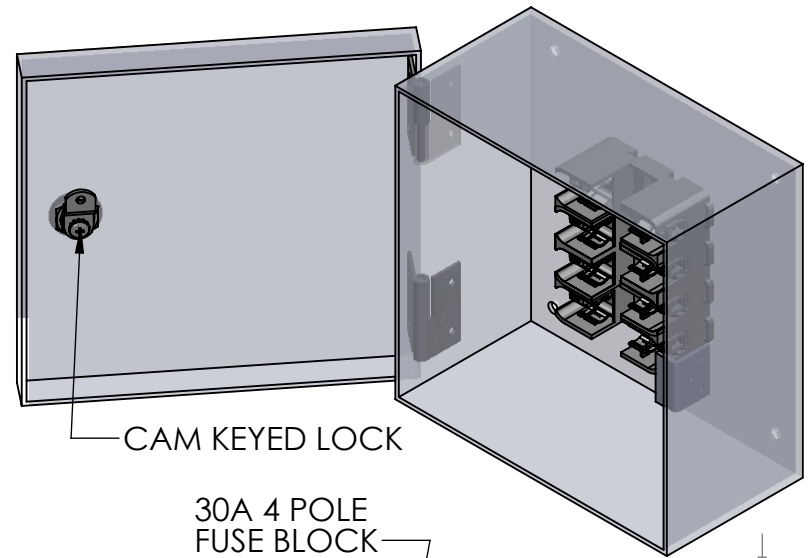
NOTES:

- 1. NEMA 1 INDOOR STITCH WELDED CONSTRUCTION
- 2. HINGED FRONT COVER WITH WRAP AROUND LIP
- 3. 3 POLE UL LISTED FUSE HOLDER
- 4. RED POWDER COAT FINISH
- 5. CAM 45 KEYED DOOR LOCK
- 6. FACTORY INSTALLED NEUTRAL BARS AVAILABLE



TOP VIEW

E167302 **UL LISTED**
CABINETS AND CUT OUT BOXES
 LOT NO. XXXXXX
NAV-TECH INC.
 HAUPPAUGE, NEW YORK

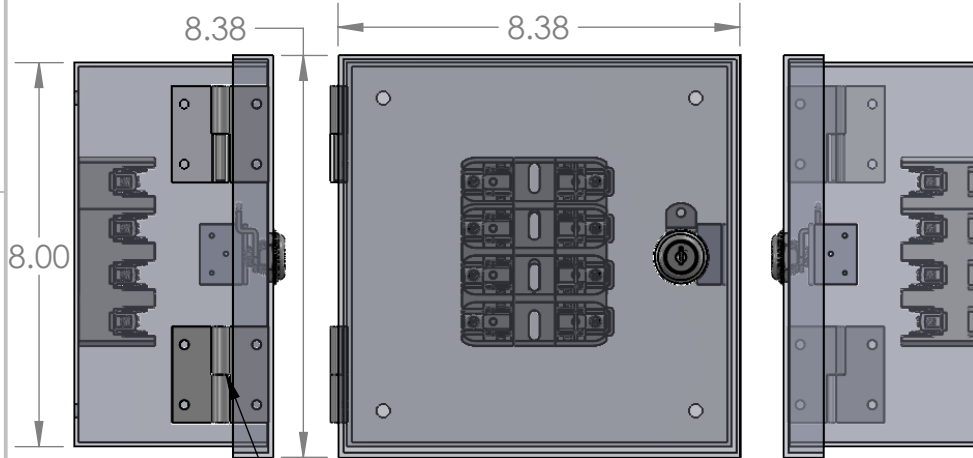


CAM KEYED LOCK

30A 4 POLE FUSE BLOCK

B

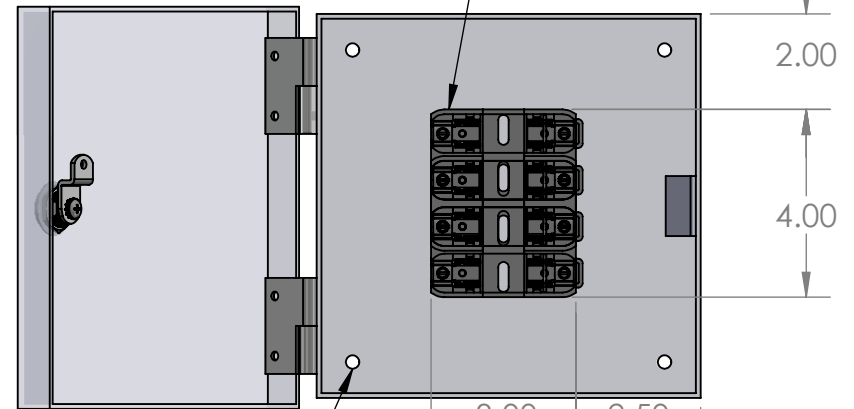
B



LEFT SIDE

CLOSED FRONT VIEW

RIGHT SIDE



4X 0.25" MOUNTING HOLES

OPEN FRONT VIEW

A

A

HINGED DOOR

	NAME	DATE
DRAWN BY	J. Pincus	7/24/2023
APPROVED BY		

PROPRIETARY AND CONFIDENTIAL
 THE INFORMATION CONTAINED IN THIS DRAWING IS THE SOLE PROPERTY OF Nav-Tech Inc. ANY REPRODUCTION IN PART OR AS A WHOLE WITHOUT THE WRITTEN PERMISSION OF Nav-Tech Inc. IS PROHIBITED.



155 MARCUS BLVD
 HAUPPAUGE, NEW YORK 11788
 PH: (718) 257-2111 FAX: (718) 257-2626

UNLESS OTHERWISE SPECIFIED:
 ALL DIMENSIONS ARE NOMINAL UNLESS EXPLICITLY SPECIFIED OTHERWISE

MATL: 16 GA GALV
 FINISH: POWDER COATED RED
 WEIGHT:

UNLESS OTHERWISE SPECIFIED

- 1. REMOVE ALL BURRS AND BREAK ALL SHARP EDGES .015 X 45° OR .015R
- 2. DIMENSIONAL LIMITS APPLY AFTER PLATING
- 3. $\frac{125}{\sqrt{\quad}}$ MACHINED SURFACES EXCEPT AS NOTED

DRAWING TITLE:
 8" X 8" X 4" FIRE ALARM CUT OUT BOX

PART #:
FAB 884

DESCRIPTION:
 NEMA 1 8" X 8" X 4" FIRE ALARM CUT OUT BOX WITH 30 AMP 4 POLE FUSE BLOCK AND LOCKING HINGE COVER

DO NOT SCALE DRAWING	SCALE: 1:32	SIZE A	SHEET 1 OF 1	REV. 0
-----------------------------	-------------	--------	--------------	--------

2

1